

NAME	REFERENCE
LAYING NEST 1 COMP. FOR EXTERIOR WITH PLASTIC BASKET	10102

PRODUCT FEATURES

MATERIAL

STEEL

COLOR

GALVANIZED / GREEN

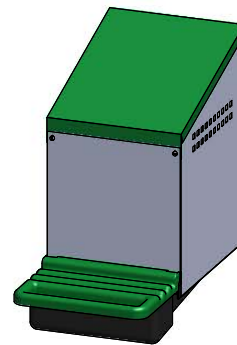
WEIGHT

3,210 kg

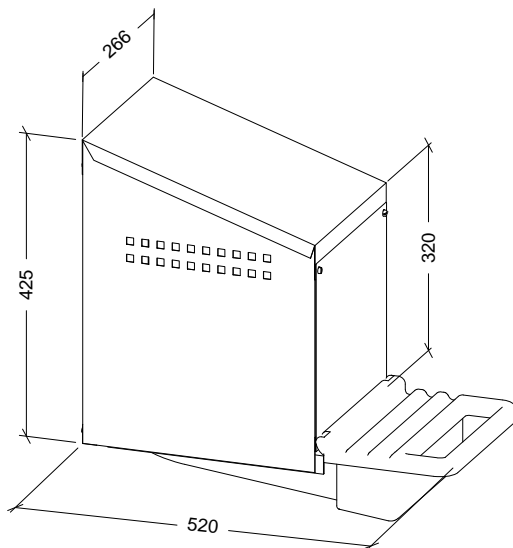
VOLUME

-

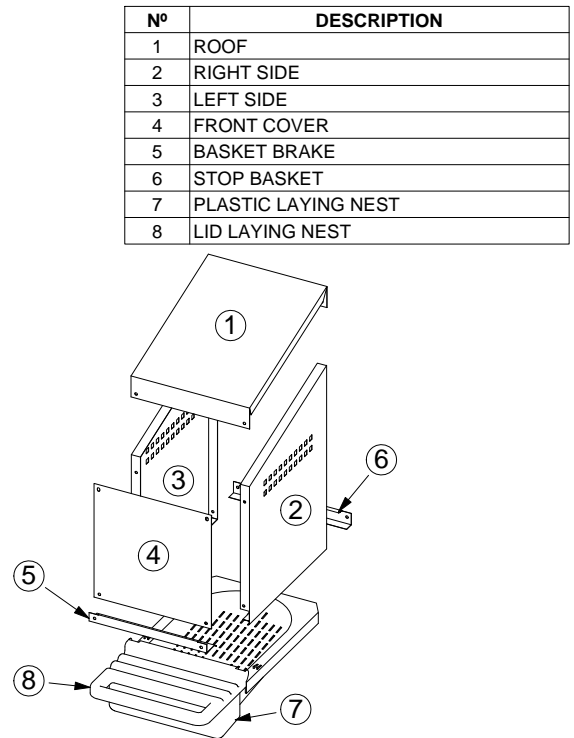
ACCESSORIES



SKETCH



EXPLODED VIEW



PACKAGING FEATURES

PACKAGING TYPE

BOX

UNITS/PACKAGING

1 Unit

PACKING DIMENSIONS

490×340×120 mm

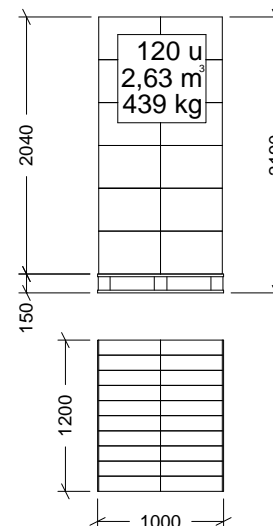
PACKING WEIGHT

3,460 kg

PACKING VOLUME

0,020 m³

AMERICAN PALLETTE



EUROPEAN PALLET WEIGHT: 12 Kg.

AMERICAN PALLET WEIGHT: 24 Kg.