

NAME

PREMIUM DRINKER DEEP BASE 8 L. (GOLD)

REFERENCE

11064

PRODUCT FEATURES

MATERIAL

POLYPROPYLENE

COLOR

GOLD

WEIGHT

0,813 kg

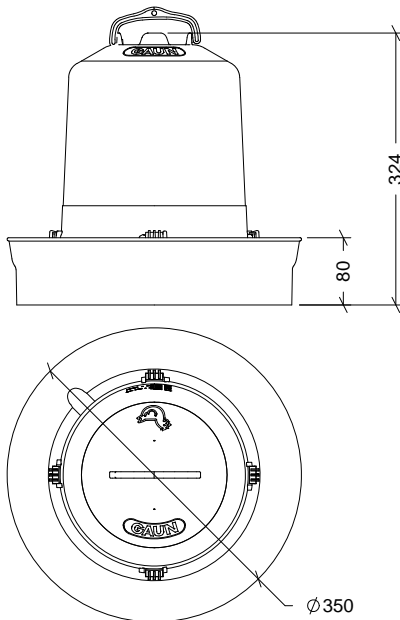
CLOSURE TYPE

SCREW CLOSURE

ACCESSORIES

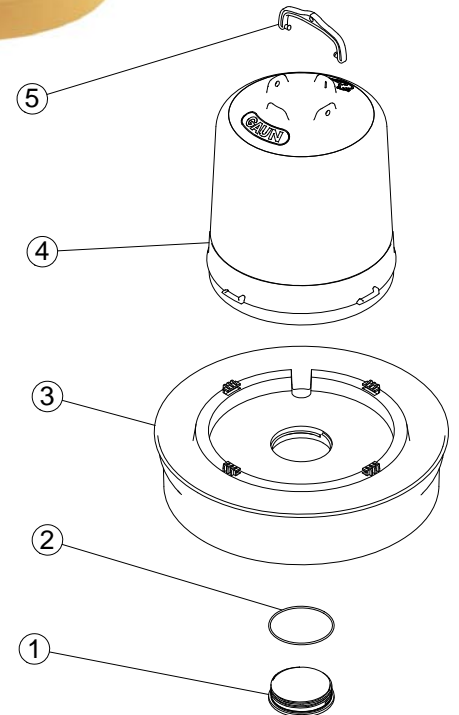


SKETCH



EXPLODED VIEW

Nº	DESCRIPTION
1	DRAIN PLUG
2	O-RING
3	BASE
4	CONTAINER
5	HANDLE



PACKAGING FEATURES

PACKAGING TYPE

BOX

UNITS/PACKAGING

5 Units

PACKING DIMENSIONS

375x375x720 mm

PACKING WEIGHT

5,000 kg

PACKING VOLUME

0,101 m³

EUROPALLET WEIGHT: 12 kg

AMERICAN PALLET WEIGHT: 24 kg

