

NAME

PREMIUM DRINKER DEEP BASE 5 L. (GREEN)

REFERENCE

11066

PRODUCT FEATURES

MATERIAL

POLYPROPYLENE

COLOR

GREEN

WEIGHT

0,711 kg

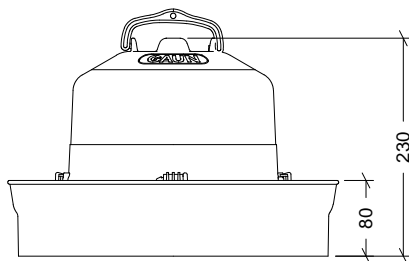
CLOSURE TYPE

SCREW CLOSURE

ACCESSORIES

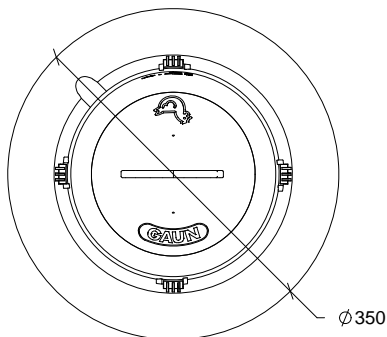
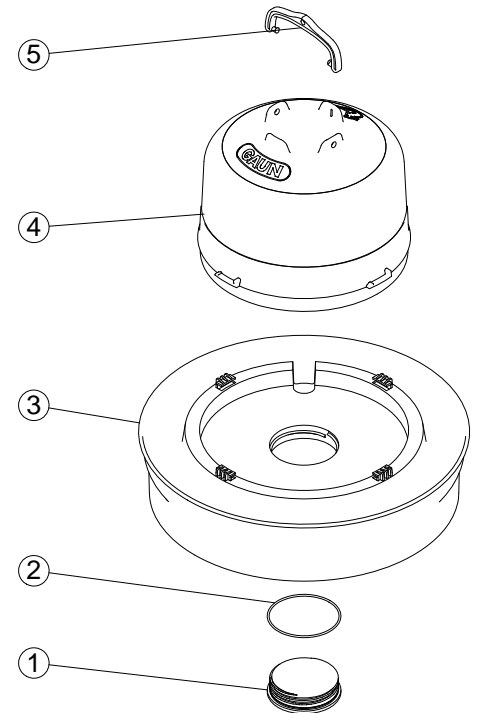


SKETCH



EXPLODED VIEW

Nº	DESCRIPTION
1	DRAIN PLUG
2	O-RING
3	BASE
4	CONTAINER
5	HANDLE



PACKAGING FEATURES

PACKAGING TYPE

BOX

UNITS/PACKAGING

5 Units

PACKING DIMENSIONS

380x360x580 mm

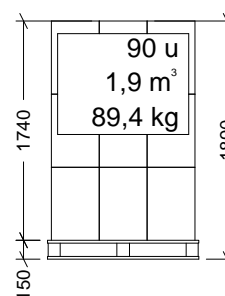
PACKING WEIGHT

4,300 kg

PACKING VOLUME

0,079 m³

EUROPALLET



EUROPALLET WEIGHT: 12 kg

AMERICAN PALLET WEIGHT: 24 kg

