

NAME

**PREMIUM DRINKER DEEP BASE 8 L. (GREEN)**

REFERENCE

**11067**

**PRODUCT FEATURES**

MATERIAL

POLYPROPYLENE

COLOR

GREEN

WEIGHT

0,813 kg

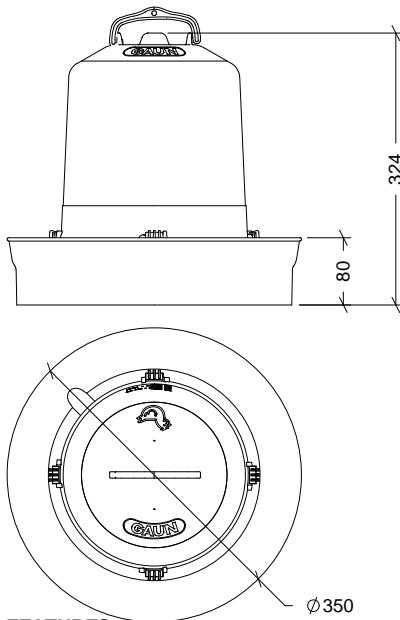
CLOSURE TYPE

SCREW CLOSURE

ACCESSORIES

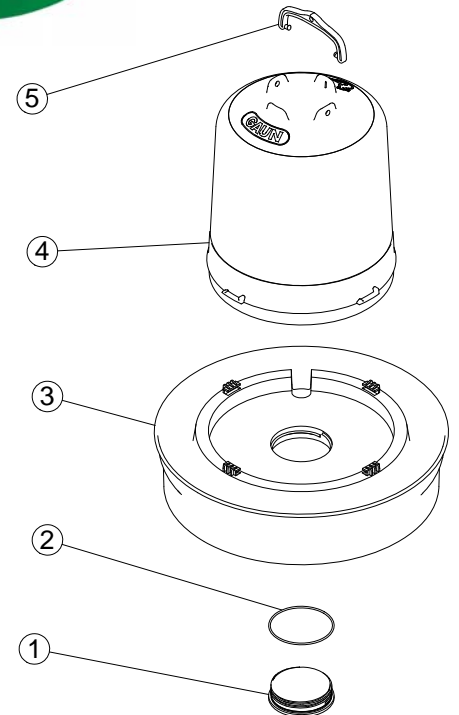


SKETCH



EXPLODED VIEW

Nº	DESCRIPTION
1	DRAIN PLUG
2	O-RING
3	BASE
4	CONTAINER
5	HANDLE



**PACKAGING FEATURES**

PACKAGING TYPE

BOX

UNITS/PACKAGING

5 Units

PACKING DIMENSIONS

375x375x720 mm

PACKING WEIGHT

5,000 kg

PACKING VOLUME

0,101 m<sup>3</sup>

**EUROPALLET WEIGHT: 12 kg**

**AMERICAN PALLET WEIGHT: 24 kg**

