

NAME

**PLASTIC POULTRY FEEDER 8 KG. WITH LEGS - GREEN LEMON**

REFERENCE

**11169**

**PRODUCT FEATURES**

MATERIAL

POLYPROPYLENE - ANTI UV

COLOR

GREEN LEMON

WEIGHT

0,905 kg

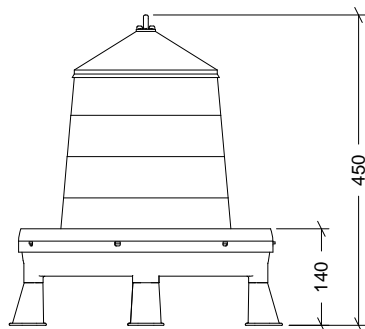
CLOSURE TYPE

PRESSURE

ACCESSORIES

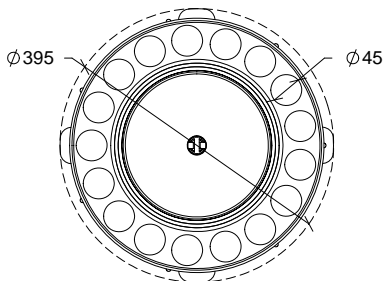
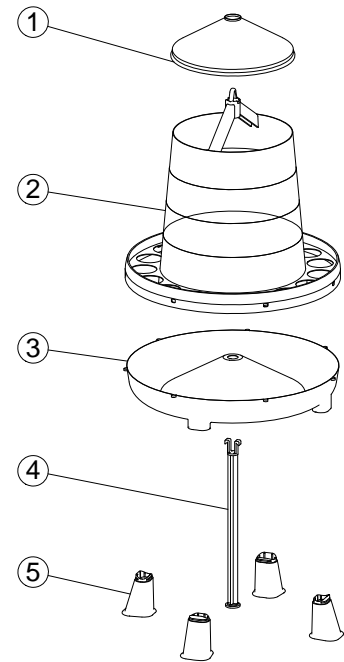


SKETCH



EXPLODED VIEW

Nº	DESCRIPTION
1	LID
2	BODY
3	BASE
4	AXIS
5	LEG



**PACKAGING FEATURES**

PACKAGING TYPE

BOX

UNITS/PACKAGING

5 Units

PACKING DIMENSIONS

370x370x585 mm

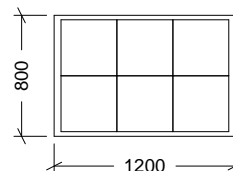
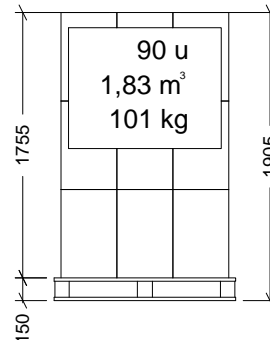
PACKING WEIGHT

4,940 kg

PACKING VOLUME

0,080 m<sup>3</sup>

EUROPALLET



**EUROPALLET WEIGHT: 12 kg**

**AMERICAN PALLET WEIGHT: 24 kg**