

NAME

**METAL POULTRY FEEDER WIDE SPACING - 1 MT.**

REFERENCE

**11330**

**PRODUCT FEATURES**

MATERIAL

GALVANISED STEEL

COLOR

GALVANIZED

WEIGHT

1,370 kg

CLOSURE TYPE

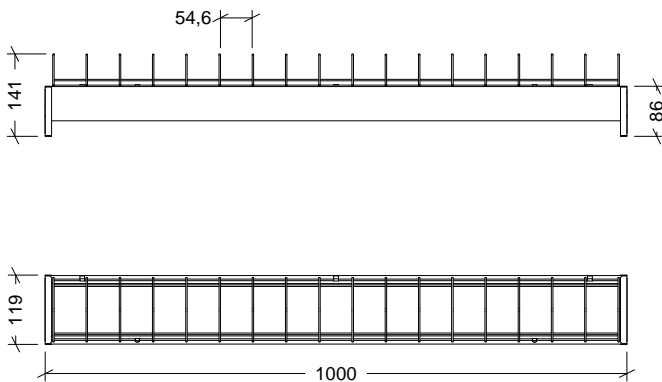
PRESSURE

ACCESSORIES

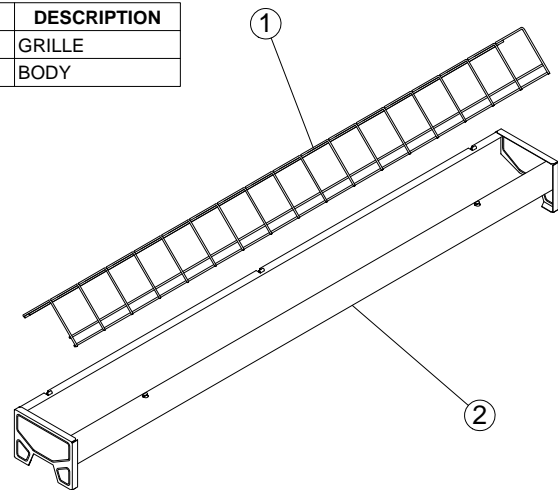


SKETCH

EXPLODED VIEW



Nº	DESCRIPTION
1	GRILLE
2	BODY



**PACKAGING FEATURES**

PACKAGING TYPE

SHRINK WRAPPING

UNITS/PACKAGING

5 Units

PACKAGING DIMENSIONS

1015x370x120 mm

PACKAGING WEIGHT

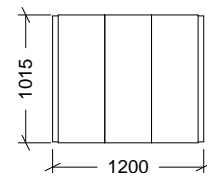
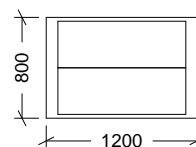
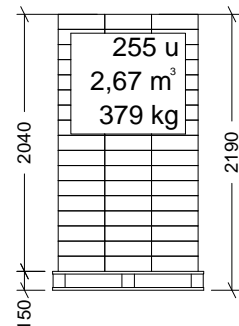
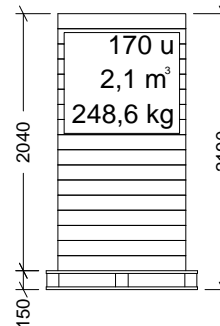
6,960 kg

PACKAGING VOLUME

0,045 m<sup>3</sup>

EUROPALLET

AMERICAN PALLET



**EUROPALLET: 12 kg**

**AMERICAN PALLET: 24 kg**