

NAME

**METAL POULTRY FEEDER NARROW SPACING - 1 MT**

REFERENCE

**11335**

**PRODUCT FEATURES**

MATERIAL

GALVANISED STEEL

COLOR

GALVANIZED

WEIGHT

1,440 kg

CLOSURE TYPE

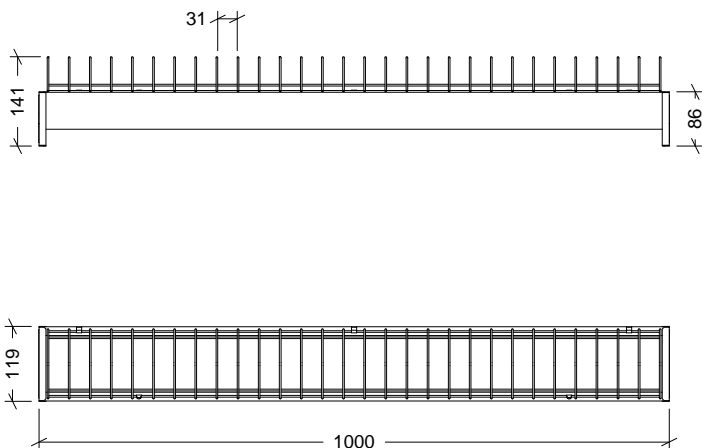
PRESSURE

ACCESSORIES

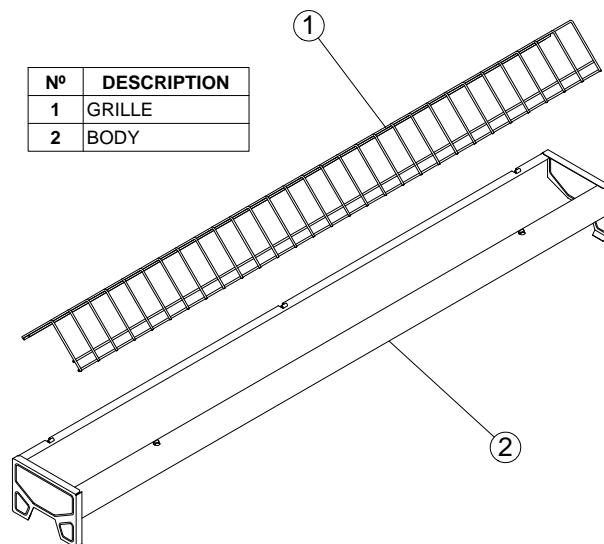


SKETCH

EXPLODED VIEW



Nº	DESCRIPTION
1	GRILLE
2	BODY



**PACKAGING FEATURES**

PACKAGING TYPE

SHRINK WRAPPING

UNITS/APCKAGING

5 Units

PACKING DIMENSIONS

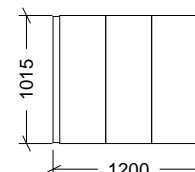
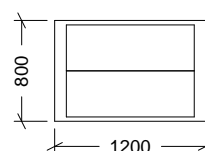
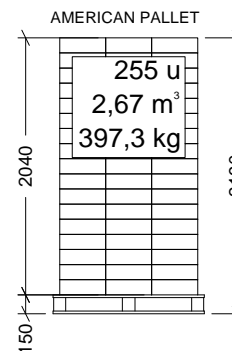
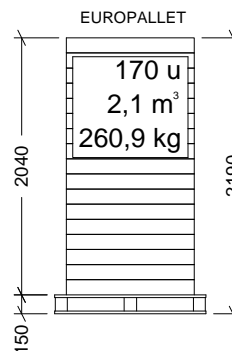
1015x365x120 mm

PACKING WEIGHT

7,320 kg

PACKING VOLUME

0,044 m<sup>3</sup>



**EUROPALLET WEIGHT : 12 kg**

**AMERICAN PALLET WEIGHT: 24 kg**

Dimensions inmm