

PRODUCT NAME

PLASTIC CHICK FEEDER NARROW SPACING 50 cm

REFERENCE

11636

MAIN FEATURES

MATERIAL

HIGH IMPACT POLYSTYRENE

COLOR

VIOLET

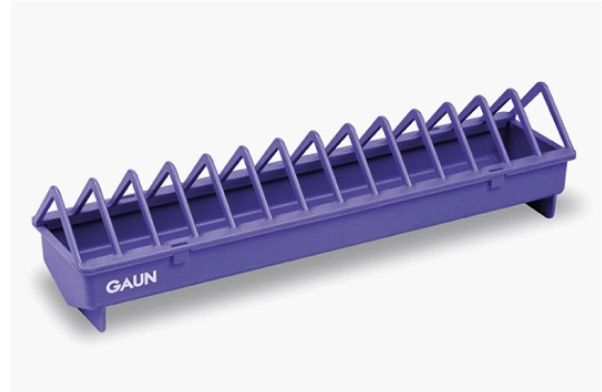
WEIGHT

0,466 kg

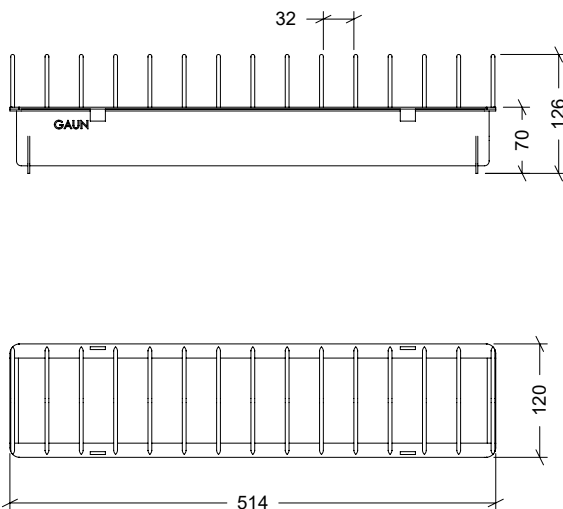
TYPE OF CLOSURE

PRESSURE

ACCESSORIES

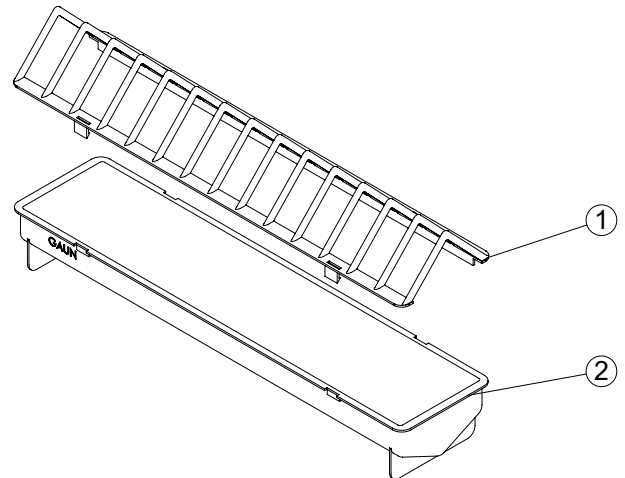


SKETCH



SPARE PARTS

Nº	DESCRIPTION
1	GRILL WITH NARROW SPACING
2	BASE



PACKAGING CHARACTERISTICS

PACKAGE TYPE

CARDBOARD BOX

QUANTITY

12 PIECES

DIMENSIONS

1035x370x165 mm

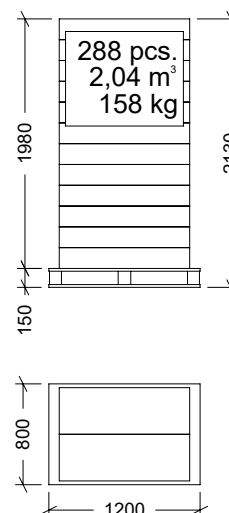
WEIGHT

6,080 kg

VOLUME

0,063 m³

EURO PALLET



EURO PALLET WEIGHT: 12 kg

AMERICAN PALLET WEIGHT: 24 kg