

PRODUCT NAME

**PLASTIC CHICK FEEDER WIDE SPACING 50 cm**

REFERENCE

**11641**

## MAIN FEATURES

MATERIAL

HIGH IMPACT POLYSTYRENE

COLOR

VIOLET

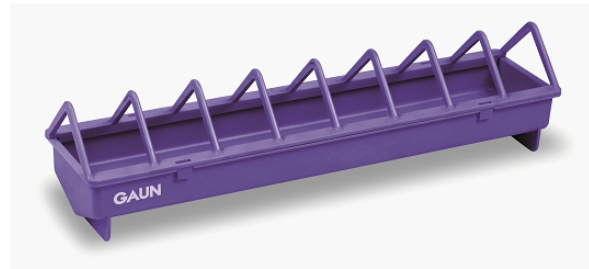
WEIGHT

0,439 kg

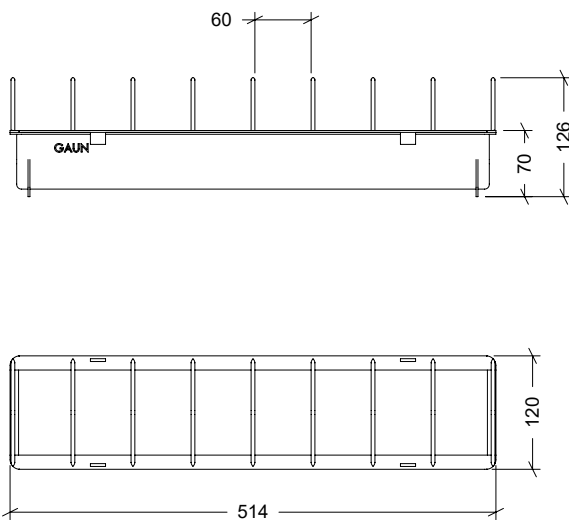
TYPE OF CLOSURE

PRESSURE

ACCESORIES

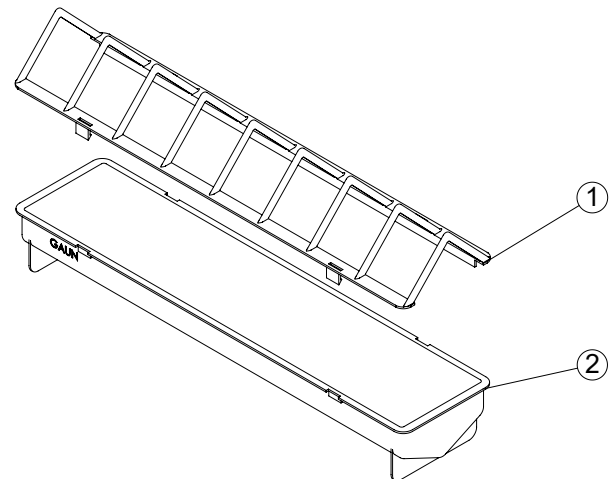


SKETCH



SPARE PARTS

Nº	DESCRIPTION
1	GRILL WITH WIDE SPACING
2	BASE



## PACKAGING CHARACTERISTICS

PACKAGE TYPE

CARDBOARD BOX

QUANTITY

12 PIECES

DIMENSIONS

1035x370x165 mm

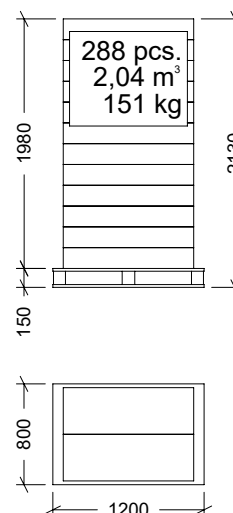
WEIGHT

5,790 kg

VOLUME

0,063 m<sup>3</sup>

EURO PALLET



**EURO PALLET WEIGHT: 12 kg**

**AMERICAN PALLET WEIGHT: 24 kg**