

PRODUCT NAME

CHICK FEEDER 2 kg

REFERENCE

30076

MAIN FEATURES

MATERIAL

POLYPROPYLENE

COLOR

ORANGE

WEIGHT

0,174 kg

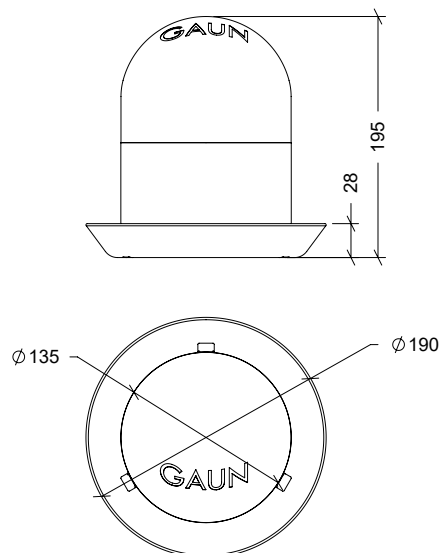
TYPE OF CLOSURE

TURN

ACCESSORIES

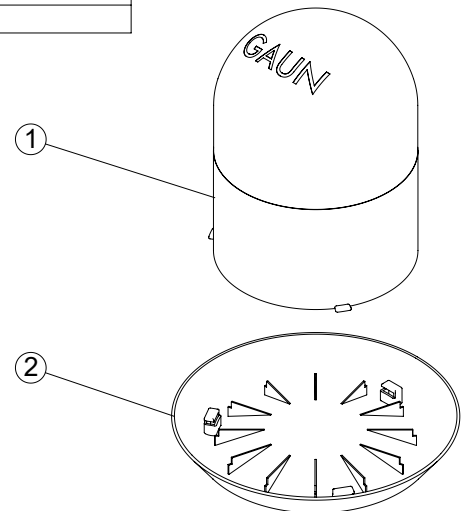


SKETCH



SPARE PARTS

N°	DESCRIPTION
1	TANK
2	BASE



PACKAGING CHARACTERISTICS

PACKAGE TYPE

CARDBOARD BOX

QUANTITY

10 PIECES

DIMENSIONS

415x287x285 mm

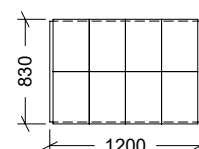
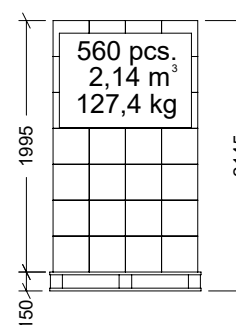
WEIGHT

2,060 kg

VOLUME

0,034 m³

EURO PALLET



EURO PALLET WEIGHT: 12 kg

AMERICAN PALLET WEIGHT: 24 kg