

NAME	REFERENCE
P-3 ABS DRINKER WITH TANK - 10L.	71085

PRODUCT FEATURES

MATERIAL

ABS / GALVA. METAL / POLYPROPYLENE / PVC

COLOR

-

WEIGHT

1,7 kg

VOLUME

0,030 m³

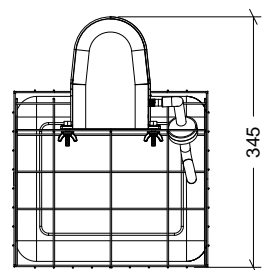
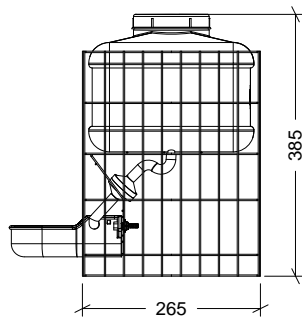
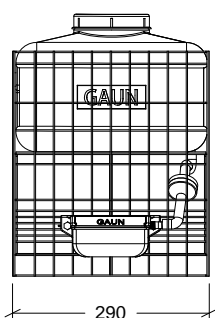
ACCESSORIES

2 NYLON PLUG 6 x 30

2 ZINC PLATED HOOK 19 x 60

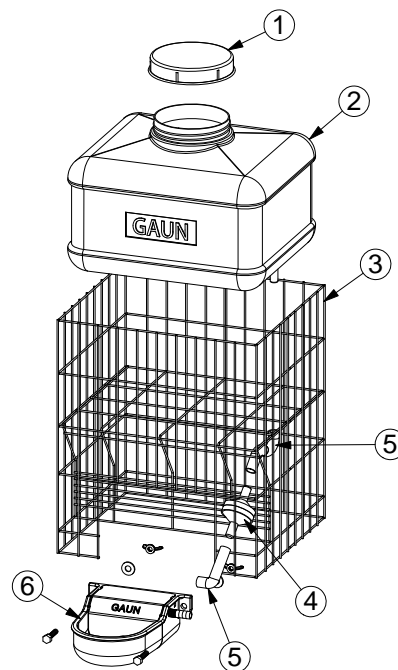
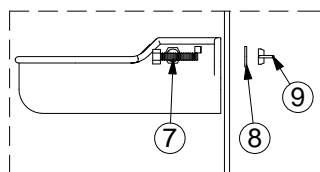


SKETCH



Nº	DESCRIPTION
1	TANK 10L.
2	TANK LID
3	PROTECTION
4	KEYLESS FILTER
5	FLEXIBLE HOSE 8x14 mm
6	P-3 ABS DRINKER
7	SCREW M6x16
8	NUT WASHER Ø6
9	WING NUT M6

DRINKER FIXATION TO TANK



PACKAGING CHARACTERISTICS

PACKING

PLASTIC FILM

PIECES / PACKING

1 PIECE

PACKING DIMENSIONS

290x265x385 mm

WEIGHT PACKING

1,830 kg

VOLUME PACKING

0,030 m³

EURO PALLET

